



### Features

- Universal input 85~264VAC with PFC
- Input current harmonics to EN61000-3-2
- Constant voltage/constant current operation
- Built-in RS232 and RS485 interface
- GPIB programming option
- External voltage or resistance programming
- Parallel operation (master/slave)
- Last setting memory with safe restart or automatic restart options
- CE marked for LVD and EMC regulation

MODEL	Output		Power W
	V	A	
ZUP6 - 33	0~6V	0~33A	200W
ZUP6 - 66	0~6V	0~66A	400W
ZUP6 - 132	0~6V	0~132A	800W
ZUP10 - 20	0~10V	0~20A	200W
ZUP10 - 40	0~10V	0~40A	400W
ZUP10 - 80	0~10V	0~80A	800W
ZUP20 - 10	0~20V	0~10A	200W
ZUP20 - 20	0~20V	0~20A	400W
ZUP20 - 40	0~20V	0~40A	800W
ZUP36 - 6	0~36V	0~6A	200W
ZUP36 - 12	0~36V	0~12A	400W
ZUP36 - 24	0~36V	0~24A	800W
ZUP60 - 3.5	0~60V	0~3.5A	200W
ZUP60 - 7	0~60V	0~7A	400W
ZUP60 - 14	0~60V	0~14A	800W
ZUP80 - 2.5	0~80V	0~2.5A	200W
ZUP80 - 5	0~80V	0~5A	400W
ZUP120 - 1.8	0~120V	0~1.8A	216W
ZUP120 - 3.6	0~120V	0~3.6A	432W

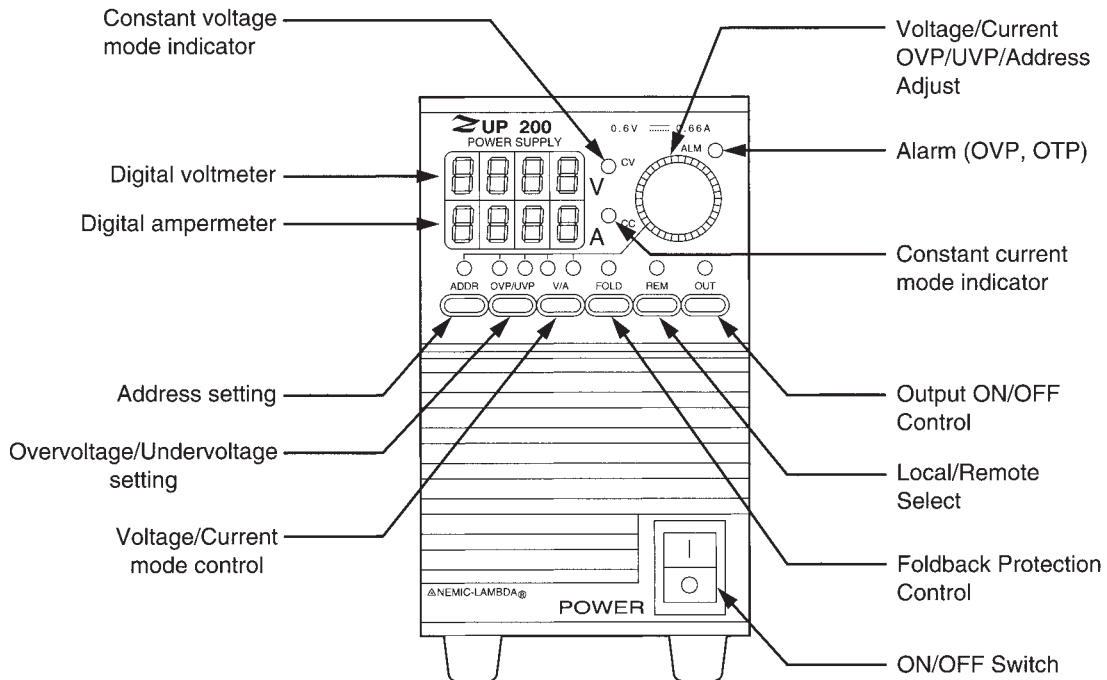
### Specifications

<b>INPUT VOLTAGE:</b>	85 ~ 264VAC
<b>FREQUENCY:</b>	47 ~ 63Hz
<b>INPUT CURRENT (@230VAC):</b>	ZUP200W: 1.5A ZUP400W: 2.7A ZUP800W: 5.4A
<b>INPUT HARMONICS:</b>	Complies with EN61000-3-2
<b>POWER FACTOR:</b>	Corrected @ 0.99
<b>EFFICIENCY:</b>	Model dependent: 68~84%
<b>LOAD REGULATION:</b>	0.01% +3mV (CV) 0.02% +5mA (CC)
<b>LINE REGULATION:</b>	0.01% +2mV (CV) 0.01% +2mA (CC)
<b>RIPPLE:</b>	5mV rms (CV) 7.5-100mA (CC)
<b>PROTECTION:</b>	<ul style="list-style-type: none"> <li>• Over voltage</li> <li>• Over temperature</li> <li>• Over current foldback</li> </ul>
<b>OPERATING TEMP:</b>	0°C to +50°C @ 100% load
<b>HUMIDITY:</b>	30~90% RH non-condensing
<b>OUTPUT ON/OFF:</b>	By TTL signal or voltage free contacts
<b>VOLTAGE PROGRAMMING:</b>	By voltage (0~4V). By resistance (0~5Kohm)
<b>CURRENT PROGRAMMING:</b>	By voltage (0~4V). By resistance (0~5Kohm)
<b>REMOTE SENSING:</b>	Yes, maximum 0.5V drop compensation
<b>COMMUNICATION INTERFACE:</b>	RS232 and RS485 built-in. IEEE488 - option
<b>DISPLAY:</b>	Voltage meter and current meter
<b>LED STATUS:</b>	<ul style="list-style-type: none"> <li>• CC/CV</li> <li>• Alarm</li> <li>• Foldback</li> <li>• Local/remote</li> <li>• On/Off</li> </ul>
<b>SAFETY:</b>	Approvals to UL3111-1, EN61010-1
<b>EMC:</b>	EN61326, IEC61326
<b>DIMENSIONS:</b>	200/400W: 70 x 124 x 350mm 800W: 140 x 124 x 350mm
<b>WEIGHT:</b>	200W: 2.9Kg. 400W: 3.2Kg. 800W: 5.8Kg.

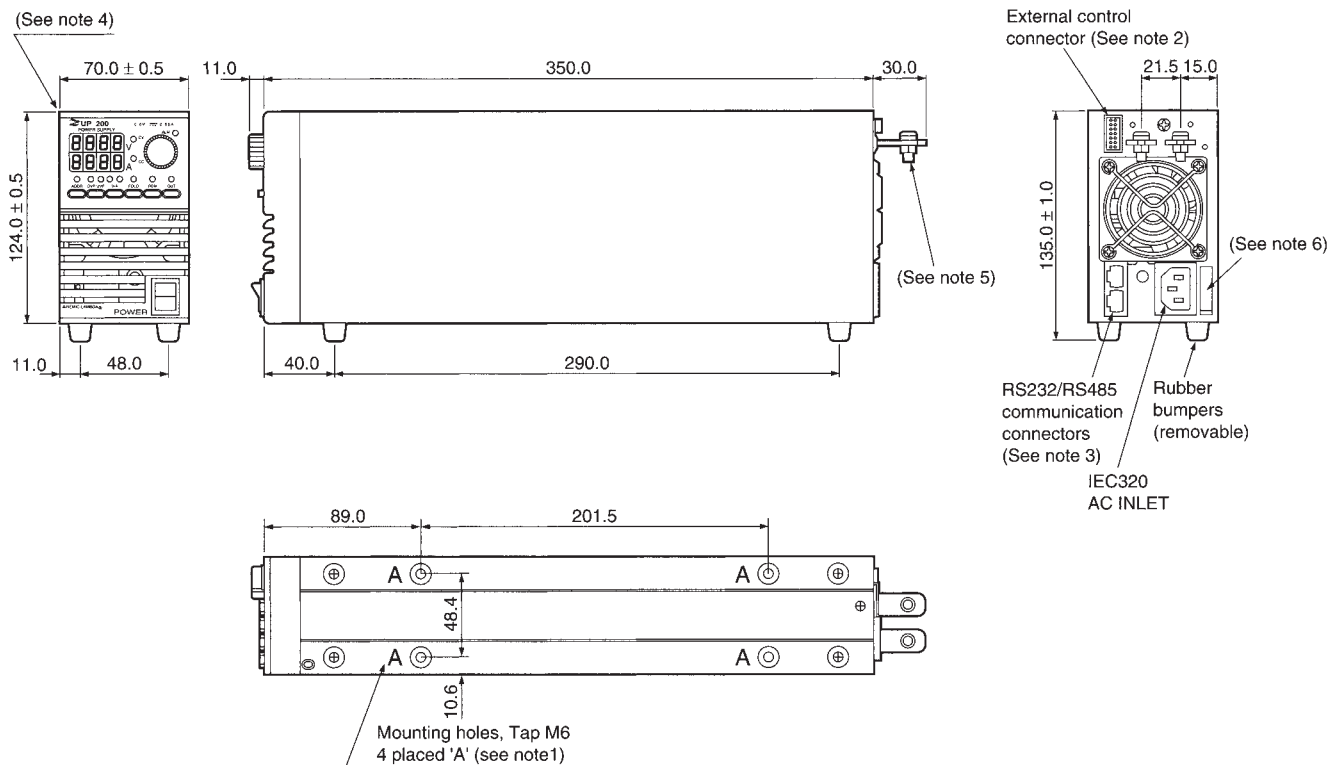
Instruction Manual is available from our website:  
Application Notes: ZUP Series



### FRONT PANEL



### OUTLINE DRAWING (200 - 400W)



(Unit: mm)

#### Notes:

1. Mounting screws must not protrude into the power supply more than 6mm.
  2. External control connector  
Connector: AMP, P/N 102617-5  
Receptacle: AMP, P/N 87631-9  
Receptacle contacts: AMP, P/N 87523-5(strip form)  
P/N 87523-6(loose piece)
  3. RS232/RS485 communication  
EIA/EIA-568A, shielded, 8 contacts connectors
  4. Model name and output rating are shown here according to the specifications.
  5. M6 or M4 screws for load wires connection.
  6. Input voltage and current rating are shown here according to the specifications.
- Wire AWG: 24 to 20  
Hand tool for wires connection: AMP, P/N: 90202-2

## Options

200 W / 400 W / 800 W models



### 1. Front Panel Output Jacks

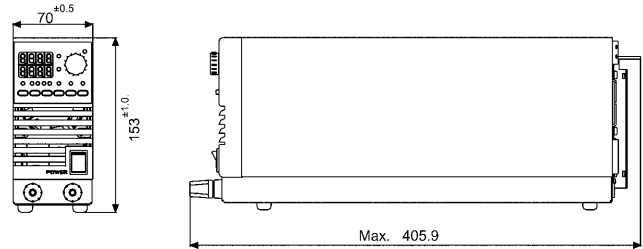
Up to 20 A output current via front panel jacks, only for models up to 60 V output voltage.

Outline Drawing: Physical Dimensions in mm.

ZUP 200 W/400 W Units: 70 x 153 x 405.9

ZUP 800 W Units: 140 x 153 x 405.9

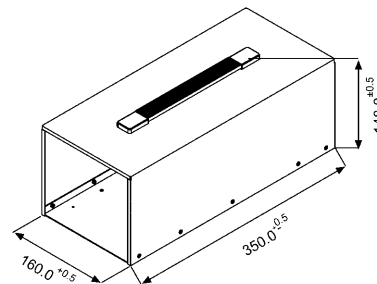
P/N: ZUP / L



### 2. ZUP Assemblies

Dual Output Packing 200 W/400 W models

P/N: NL200



### 3. 19" Rack mounted and OEM up to 2.4 kW

Up to six power units can be assembled into a 19, 3 U rack, kit.

P/N NL100

In cases where the entire rack is not occupied with power units, NL101 blank panels can be installed. P/N: NL100

